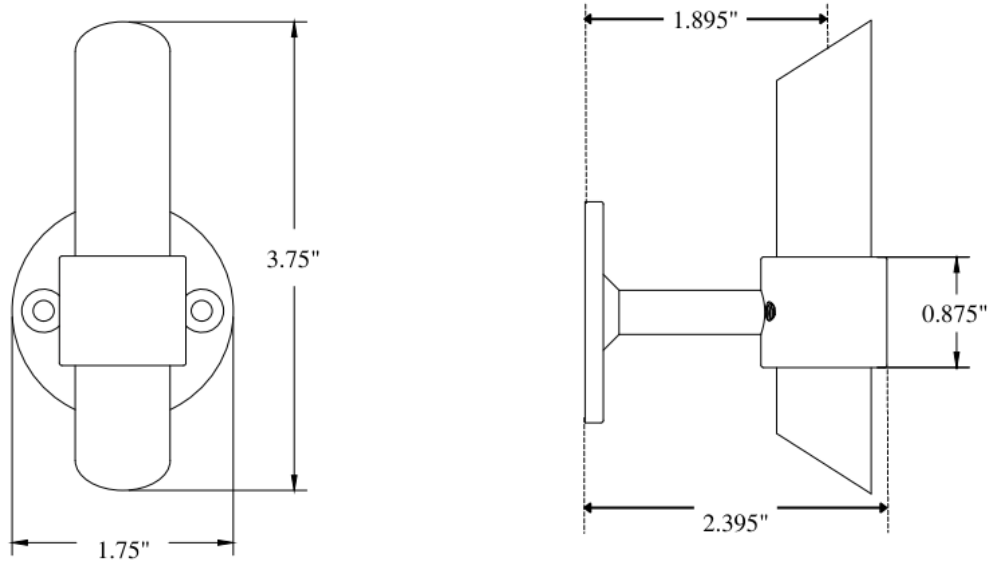




Tapered Robe Hook (3/4" DIA)



HARDWARE FINISHES	LUCITE FINISHES	ALSO INCLUDED
polished brass	clear	2 x 1" #8 wood screw
satin brass	night	
polished nickel	smoke	
satin nickel		
chrome		

INSTALLATION INSTRUCTIONS

- ❖ Position the product at your preferred placement and mark hole placement using a pencil.
- ❖ Drill pilot holes (we recommended using a 1/8" drill bit) and insert a proper anchor for your wall material.
- ❖ Sink screws by hand with a screwdriver (using a drill for this step may damage the product and/or strip out the screws).

CARE INSTRUCTIONS

- ❖ Brass, Nickel and Chrome: Use a non-abrasive brass polish such as Brasso wadding or Nevr-Dull wadding.
- ❖ Lucite: Dish soap and water.